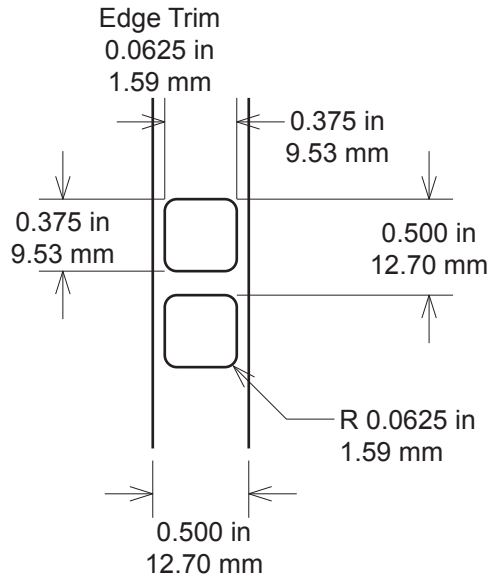
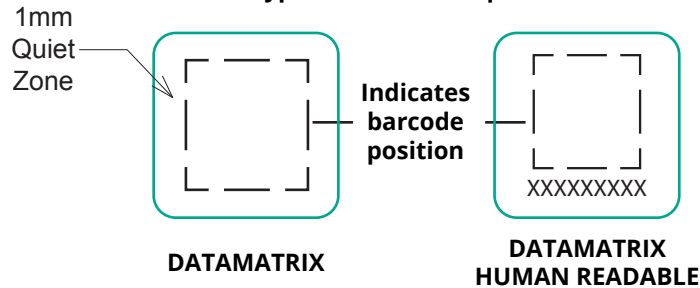


# PPL™ 109 Series



### Type of bar code required.



NOT TO SCALE

Proprietary - Property of IDENTCO

|                                                        |                    |                       |
|--------------------------------------------------------|--------------------|-----------------------|
| Standard Tolerances                                    | Label dimension    | ± .010" (.254 mm)     |
| Label tolerances are as stated unless otherwise noted. | Edge trim/web size | ± .03125" (.79375 mm) |
|                                                        |                    |                       |
|                                                        |                    |                       |

### Revisions

| REV | Date     | By  | Description |
|-----|----------|-----|-------------|
| A   | 01/30/18 | IA  | Released    |
| A   | 01/30/18 | PPE | Released    |

### NOTES:

- (1) All labels supplied on REEL-E™
- (2) Standard Qty/Roll = 10,000 pieces
- (3) 1 foot leader
- (4) 1 foot trailer

### With Paper Liner

| Part Number    | Material Description                 | TTRR™ | USA • EU • IA • IM |
|----------------|--------------------------------------|-------|--------------------|
| PPL-109-416-10 | Economy gloss white polyimide        | B,D   | ● ● ● ●            |
| PPL-109-403-10 | Gloss white polyimide                | B,D   | ● ● ● ●            |
| PPL-109-433-10 | Hi-performance gloss white polyimide | CR    | ● ● ● ●            |
| PPL-109-451-10 | ESD semi-gloss white polyimide       | B,D   | ● ● ● ●            |
| PPL-109-481-10 | Low profile gloss white polyimide    | B,D   | ● ● ● ●            |

### With Film Liner

| Part Number      | Material Description                 | TTRR™ | USA • EU • IA • IM |
|------------------|--------------------------------------|-------|--------------------|
| PPL-109-416FL-10 | Economy gloss white polyimide        | B,D   | ● ● ● ●            |
| PPL-109-403FL-10 | Gloss white polyimide                | B,D   | ● ● ● ●            |
| PPL-109-433FL-10 | Hi-performance gloss white polyimide | CR    | ● ● ● ●            |
| PPL-109-451FL-10 | ESD semi-gloss white polyimide       | B,D   | ● ● ● ●            |
| PPL-109-481FL-10 | Low profile gloss white polyimide    | B,D   | ● ● ● ●            |



Labels for Life.

PPL™ 109 Series

Size: 0.375" x 0.375" (9.53 mm x 9.53mm)