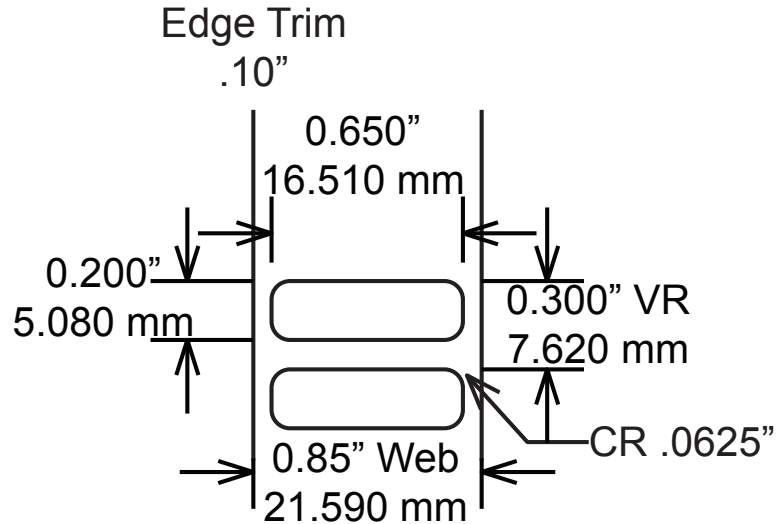


TTL™ 136 Series

Revisions			
REV	Date	By	Description
A	01/30/18	IA	Released
A	01/30/18	PPE	Released
B	06/27/18	IA	REMOVE 490,491,492,493
B	06/27/18	PPE	REMOVE 490,491,492,493



Part Number	Material Description	TTRR™	USA • EU • IA • IM
TTL-136-403-10	Gloss white polyimide	B,D	● ● ● ●
TTL-136-403GR-10	Gloss green polyimide	B,D	● ● ● ●
TTL-136-411-10	Matte tan polyimide	AK	● ● ● ●
TTL-136-416-10	Economy gloss white polyimide	B,D	● ● ●
TTL-136-417-10	Matte white polyimide	B,D	● ● ●
TTL-136-433-10	Hi-performance gloss white polyimide	CR	● ● ● ●
TTL-136-451-10	ESD semi-gloss white polyimide	B,D	● ● ● ●
TTL-136-481-10	Low profile gloss white polyimide	B,D	● ● ●
TTL-136-482-10	Low profile matte white polyimide	B,D	● ● ●
TTL-136-700-10	Gloss white polyester	B,D	● ● ● ●

NOT TO SCALE

Proprietary - Property of IDENTCO

Standard Tolerances	Label dimension	± .010" (.254 mm)
Label tolerances are as stated unless otherwise noted.	Edge trim/web size	± .03125" (.79375 mm)



Labels for Life.

TTL™ 136 Series

Size: 0.65" x 0.20" (16.51 mm x 5.08mm)