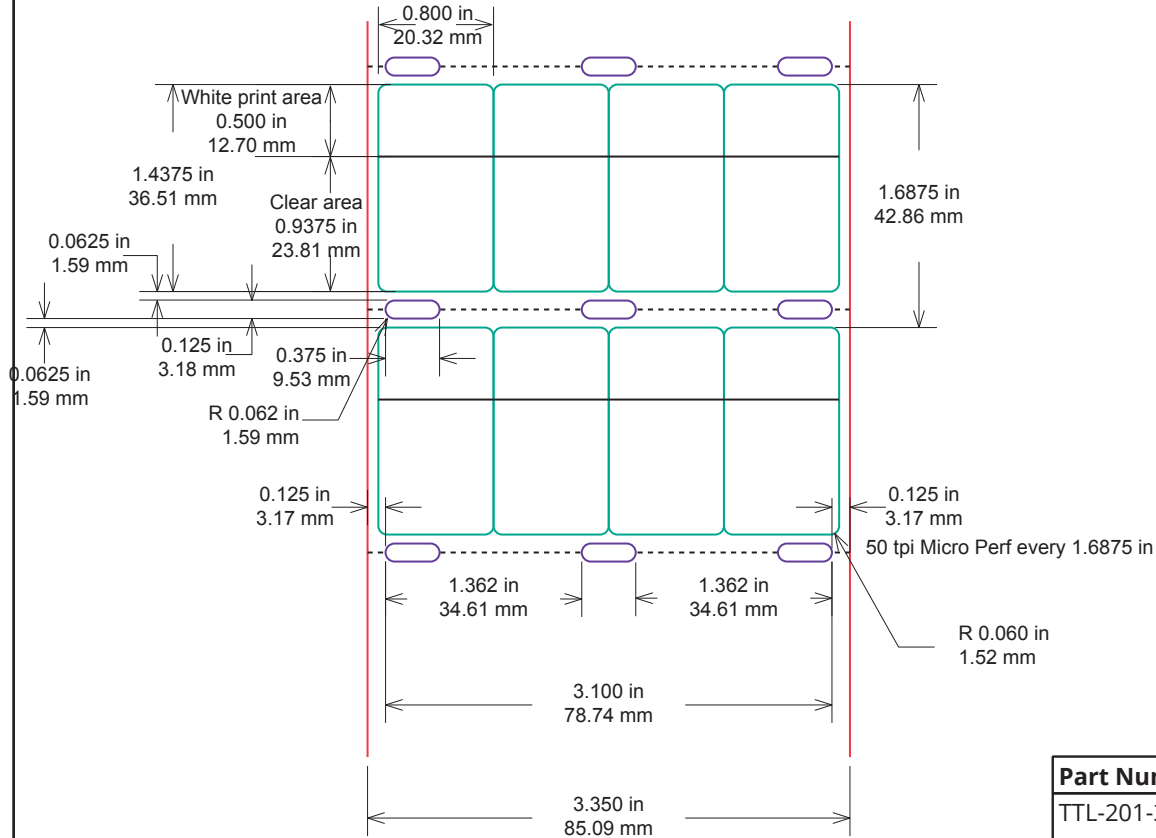


TTL™ 201 Series

Revisions

REV	Date	By	Description
A	04/08/19	IA	Released
A	04/08/19	PPE	Released

Edge Trim
0.075 in
1.905 mm



Part Number	Material Description	TTR™	USA • EU • IA • IM
TTL-201-327-10	Self-laminating vinyl with white thermal transfer printable area	A	● ● ● ●

NOT TO SCALE

Proprietary - Property of IDENTCO

Standard Tolerances	Label dimension	± .010" (.254 mm)
Label tolerances are as stated unless otherwise noted.	Edge trim/web size	± .03125" (.79375 mm)



Labels for Life.

TTL™ 201 Series

Size: 0.80" x 1.438" (20.32mm x 36.51mm)